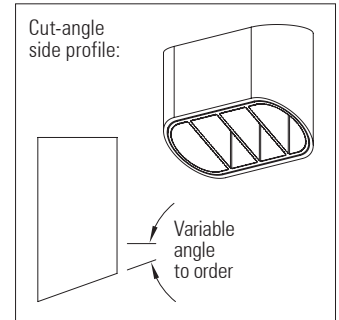
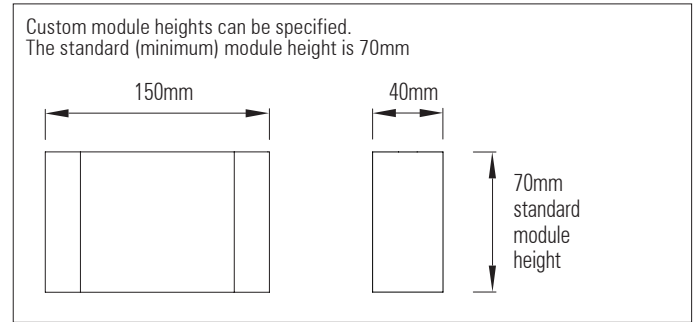


Centura 40 150 IP20 Module

LED accent lighting range IP20

Down light - 2 or 4 x high power LEDs with lenses



Centura 40 150 Module IP20 system - Down light - 2 or 4 x high power LEDs with lenses

Wall or surface mounted LED accent lighting range IP20

Product description:

Developed for use in a wide variety of architectural lighting projects requiring highly controlled accent lighting effects from a compact luminaire

2 or 4 x Cree XP-E, XP-G or XQ-E LEDs or Osram Oslon LEDs with Ledil Tina2 or Heidi lenses per module. See LED / lens matrix for beam angle options

30 Volt - 48 Volt DC supply depending on application

Various LED colour temperature and CRI options available

Up to 7.5 Watts of LEDs, giving a light output of up to 800 Lumens

Integral LV DC to DC driver and remote AC to DC driver versions are available.

Dimming options available: 1 - 10V, DMX and DALI

Decorative anti-glare louvred snoots with custom powder coat or anodized finishes to order. The interior louvre finish can be different from the outer body finish

Body - Satin black, satin white or any RAL powder coat or anodized finish

Louvre - Satin black or any RAL powder coat or anodized finish

Wall or surface mount options. Custom solutions are also available

* RGB, RGBW, RGBA and Dynamic-white options do not use colour mixing lenses. See Centura 60 Module IP20 data sheets for versions with colour-blending lens.

Up to 800 Lumens per module

Down light LED / lens matrix	CREE XP-E		CREE XP-G	
	Tina 2	Heidi	Tina 2	Heidi
Diffused spot (D)	12 °	9 °	17 °	12 °
Real spot (RS)	11 °	8 °	15 °	9 °
Medium (M)	31 °	28 °	30 °	28 °
Wide (W)	50 °	32 °	57 °	31 °
Wide (WW)	55 °	44 °	58 °	44 °
Wide (WWW)	57 °	N/A	60 °	N/A
Elliptical (O)	32+14 °	48+10 °	35+16 °	47+14 °

Product Code	No. of LEDs per mtr.	IP	LED Type	Colour Temp. (K)	CRI	Optics	Mounting Type	Cut angle(°) side profile	Finish
RAD CENTURA 40 150 DOWN IP20	4 x LEDs per module: 36mm pitch	20	Cree: XP-E XP-G XQ-E	27=2,700k 30=3,000k 35=3,500k 40=4,000k 45=4,500k 50=5,000k	Cree: 80 90 Osram: 95	Ledil: Tina2 Heidi (See LED / lens matrix)	Wall mount Surface mount Custom	0° - 75° Available in 5 degree increments	Body: Any powder coat or anodized finish
	2 x LEDs per module: 72mm pitch		Osram: Oslon	* RGB * RGBW * RGBA * Dynamic white					Louvre: Any powder coat or anodized finish